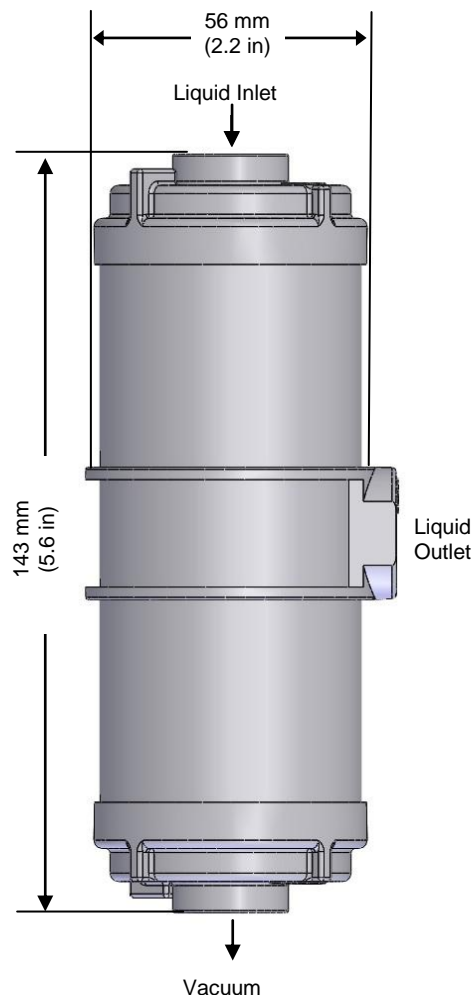


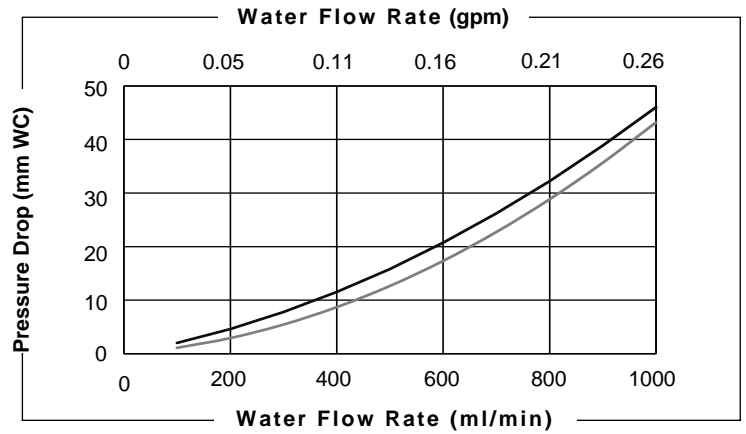
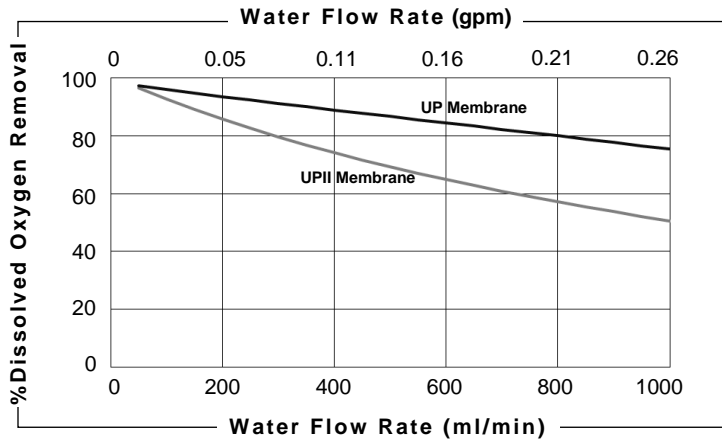
2 x6 ラジアルフロースーパーフォビック[®] 分離膜製品データシート



注:全ての寸法は公称寸法です。外形寸法は
www.liqui-cel.jp をご覧下さい。

中空系 カートリッジの特性		
中空系カートリッジ構造	外圧型ノンパッフル・ラジアルフロー	
有効流量	100 ml/min – 1 liter/min 流体はシェルサイド(外側)	
中空系仕様	UltraPhobic™	UltraPhobic™ II
	水系の低表面張力液体に推奨	劇薬及び超低表面張力液体に推奨
中空系 / ポッティング材	ポリオレフィン / ポリエチレン	
有効膜面積	0.3 m ²	
有効体積 (公称)		
シェルサイド	77 ml	
圧力の特性*		
	UltraPhobic™	UltraPhobic™ II
シェルサイド(液相側) 最大有効温度 / 圧力	5-25° C, 4.1 barg (41-77° F, 60 psig) 50° C, 1.0 barg (122° F, 15 psig)	5-25° C, 7.2 barg (41-77° F, 105 psig) 75° C, 1.0 barg (167° F, 15 psig)
標準大気圧下では 1 barg (15psig) を上記に足すことができます。		
ハウジングの特性		
材質	ポリエチレン	
コネクション		
シェルサイド(液相側)	1/4 inch NPT Female	
ルーメンサイド(気相側)	1/4 inch NPT Female	
重量	UltraPhobic™	UltraPhobic™ II
乾燥(ドライ)	140 grams	
運転(シェルサイド満水)	220 grams	
出荷	310 grams	
指令・規制		
改正 RoHS 指令 2011/65/EU Annex II: 改正 RoHS 指令 2002/95/EC に準拠。 常温下にて連邦条例 21 条に規定される FDA に準拠した接液部品で構成。		

2 x6 ラジアルフロースーパーフォビック[®] 分離膜製品データシート



— UltraPhobic™ — UltraPhobic™ II

— UltraPhobic™ — UltraPhobic™ II

DO除去テスト条件: バキューム50 torr、水温45°C

Technical Information: The technical information, recommendations and other statements contained in this document are based upon tests or experience that 3M believes are reliable, but the accuracy or completeness of such information is not guaranteed.

Product Use: Many factors beyond 3M's control and uniquely within user's knowledge and control can affect the use and performance of a 3M product in a particular application. Given the variety of factors that can affect the use and performance of a 3M product, user is solely responsible for evaluating the 3M product and determining whether it is fit for a particular purpose and suitable for user's method of application.

Warranty, Limited Remedy, and Disclaimer: Unless an additional warranty is specifically stated on the applicable 3M product packaging or product literature, 3M warrants that each 3M product meets the applicable 3M product specification at the time 3M ships the product. 3M MAKES NO OTHER WARRANTIES OR CONDITIONS, EXPRESS OR IMPLIED, INCLUDING, BUT NOT LIMITED TO, ANY IMPLIED WARRANTY OR CONDITION OF MERCHANTABILITY OR FITNESS FOR A PARTICULAR PURPOSE OR ANY IMPLIED WARRANTY OR CONDITION ARISING OUT OF A COURSE OF DEALING, CUSTOM OR USAGE OF TRADE. If the 3M product does not conform to this warranty, then the sole and exclusive remedy is, at 3M's option, replacement of the 3M product or refund of the purchase price.

Limitation of Liability: Except where prohibited by law, 3M will not be liable for any loss or damage arising from the 3M product, whether direct, indirect, special, incidental or consequential, regardless of the legal theory asserted, including warranty, contract, negligence or strict liability.

3M, Membrana, SuperPhobic and UltraPhobic are trademarks of 3M Company. All other trademarks are the property of their respective owners.
© 2015 3M Company. All rights reserved. (D82_Rev13)



Industrial Business Group
Membranes Business Unit
13840 South Lakes Drive
Charlotte, North Carolina 28273
USA

Phone: +1 704 587 8888
Fax: +1 704 587 8610

3M Deutschland GmbH
Membranes Business Unit
Öhder Straße 28
42289 Wuppertal
Germany

Phone: +49 202 6099 - 658
Fax: +49 202 6099 - 750

スリーエム ジャパン株式会社
メンブレンズビジネスユニット
〒141-8684
東京都品川区北品川 6-7-29
Phone: 03-6409-5732
Fax: 03-6409-5827

MEMBRANA
Now proudly part of 3M

www.liqui-cel.jp